

Concealed

Thermostatic 2-Way built in Shower Mixer Box

Article no.: 5703100
Finish: Chrome
Series: Concealed

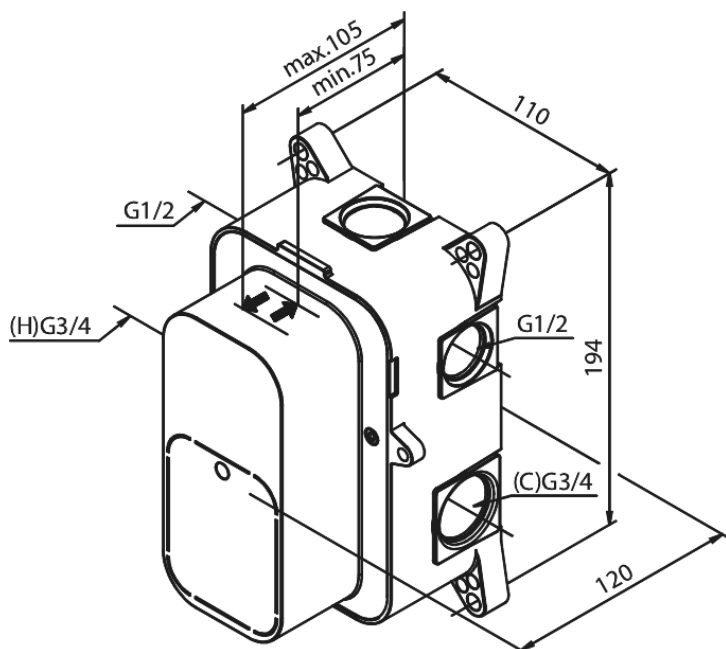
EAN no.:



Standard features:

Check valves
Build-in depth (min. 75mm - max. 105mm)
Ceramic Parts

Product features



FM Mattsson Mora Group Denmark
Østbirkvej 2, DK-5240 Odense NØ

+45 88 33 00 34 damixa-international@fmm-mora.com

Mere information på <https://damixa.com>

damixa